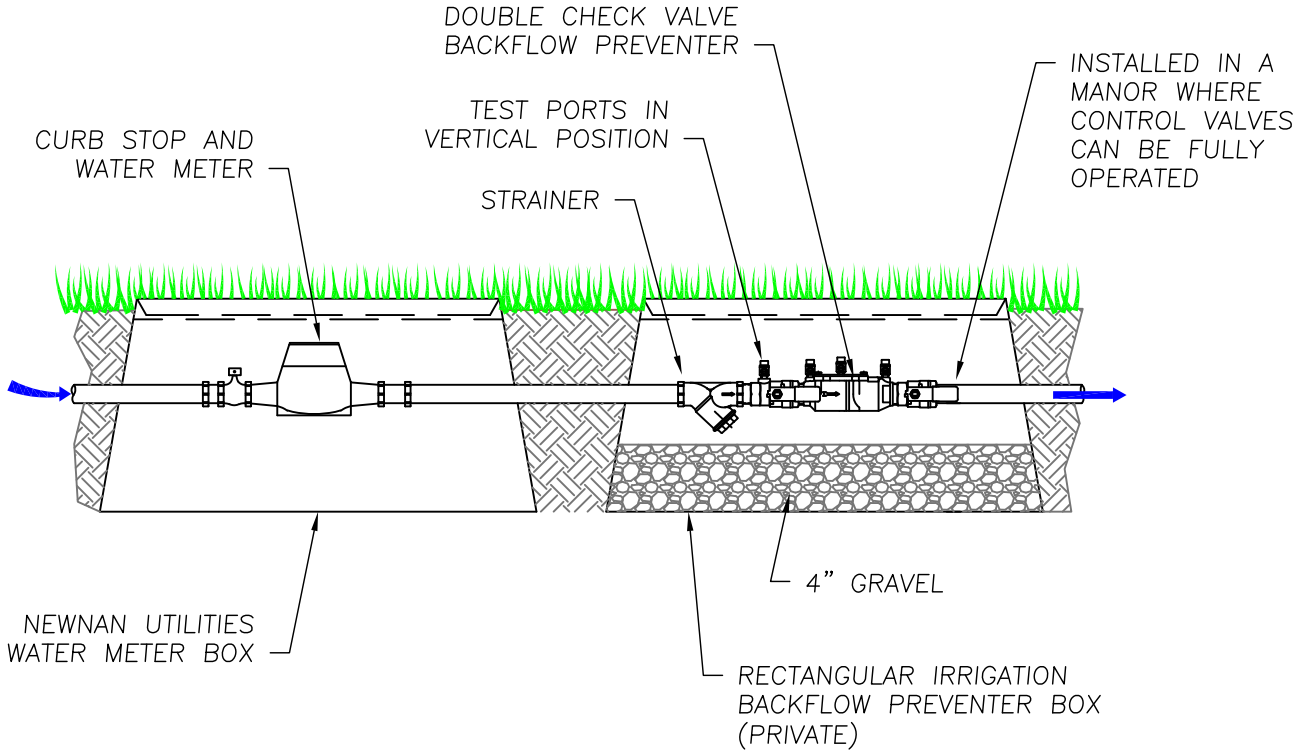


TYPICAL UNDERGROUND INSTALLATION FOR DCVA SIZE 1/2" THROUGH 2"



NOTE:
THE ABOVE INSTALLATION DETAIL REPRESENTS THE MINIMUM REQUIREMENTS FOR AN IRRIGATION SYSTEM, BUT IS NOT LIMITED TO IRRIGATION SYSTEMS.

NEWNAN UTILITIES
Committed To Excellence

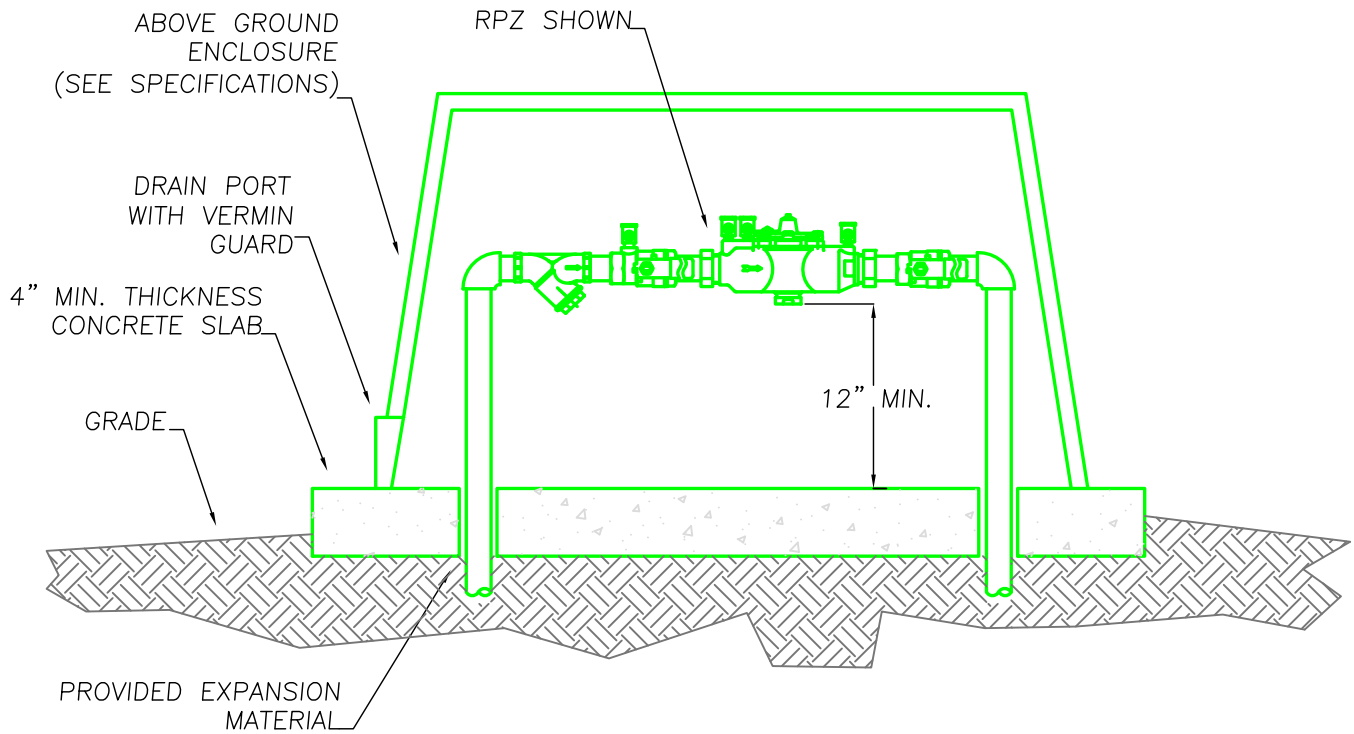
DRAWN BY: S. TOLAR

INSPECTED BY:

**TYPICAL UNDERGROUND
INSTALLATION FOR
DCVA - SIZES
1/2" THROUGH 2"**

REVISED: 1/23/2023 BY: JMP

TYPICAL ABOVE GROUND INSTALLATION FOR RPZ SIZE 1/2" THROUGH 2"



NEWNAN UTILITIES
Committed To Excellence

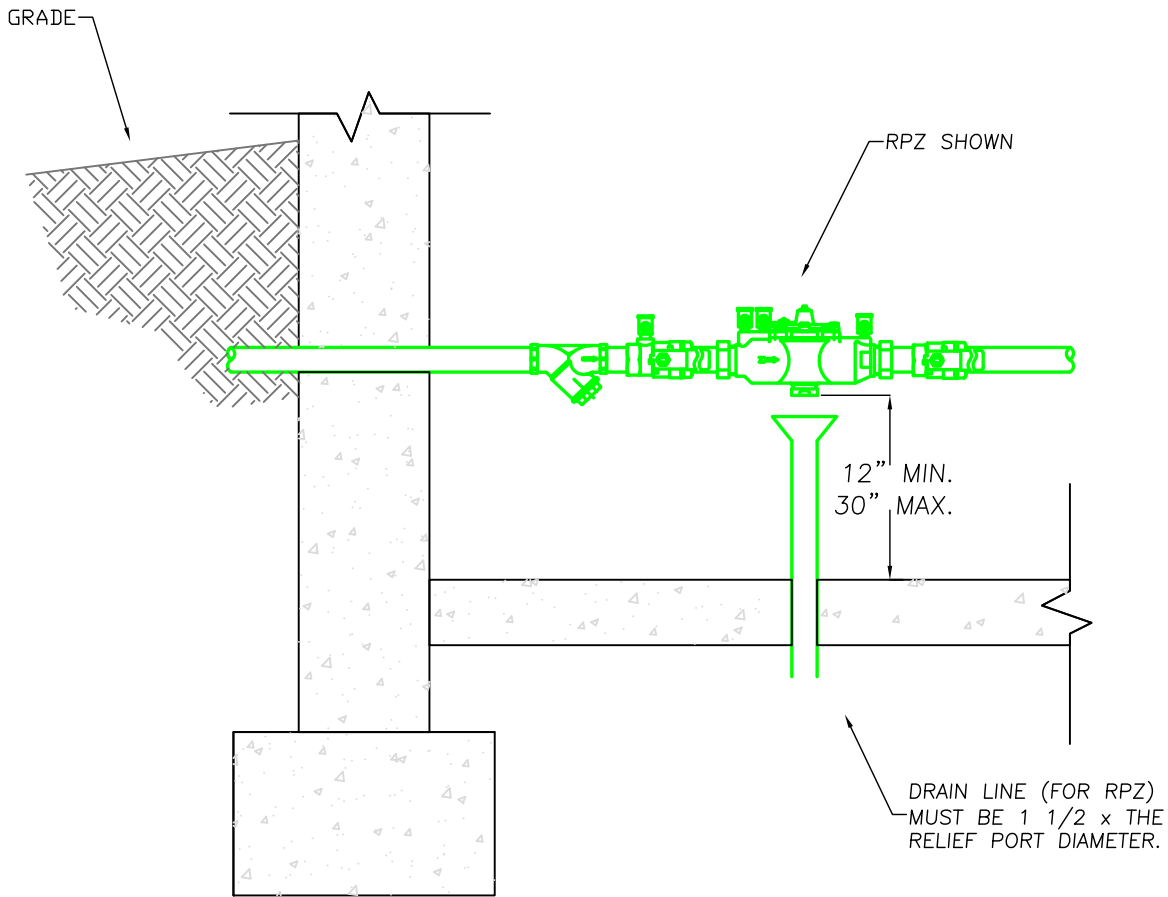
DRAWN BY: S. TOLAR

INSPECTED BY:

**TYPICAL ABOVE GROUND
INSTALLATION FOR
RPZ - SIZES
1/2" THROUGH 2"**

REVISED: 1/23/2023 BY: JMP

TYPICAL INSTALLATION FOR RPZ IN BUILDING SIZE 1/2" THROUGH 2"



NOTE:

– MAINTAIN A MINIMUM OF 12" CLEARANCE FROM ANY WALL.

– A DCVA MAY ALSO BE INSTALLED IN THIS MANOR, HOWEVER A DCVA DOES NOT HAVE A DRAIN.



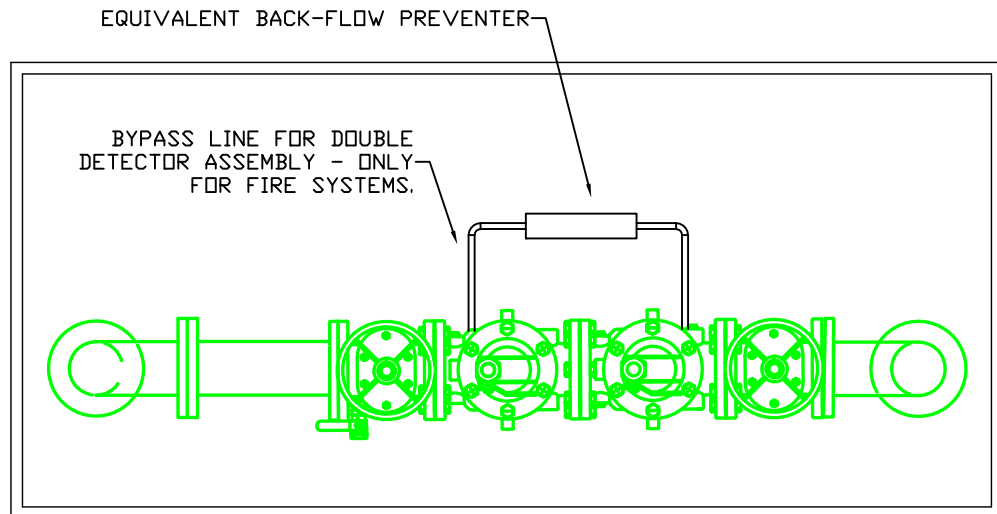
DRAWN BY: S. TOLAR

INSPECTED BY:

**TYPICAL INSTALLATION
FOR RPZ IN
BUILDING - SIZES
1/2" THROUGH 2"**

REVISED: 1/23/2023 BY: JMP

TYPICAL INSTALLATION FOR SINGLE BACKFLOWS - SIZES 4" THROUGH 10"



NOTE:

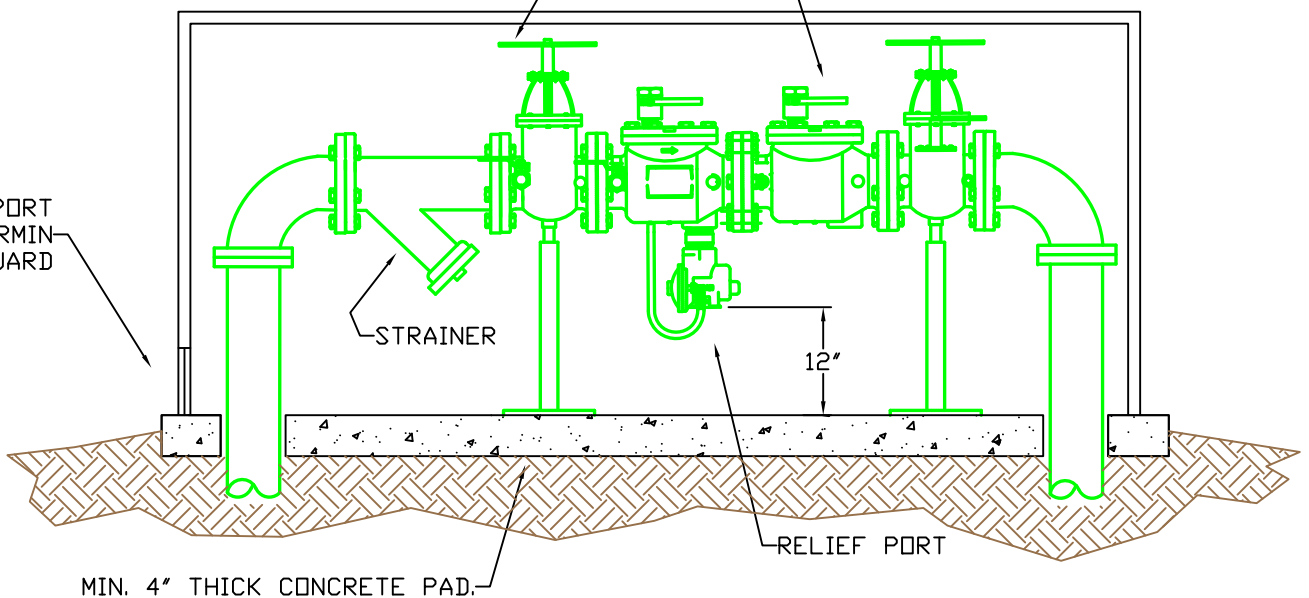
THESE DETAILS REPRESENT THE TYPICAL ABOVE GROUND INSTALLATION OF 4" TO 10" DOUBLE CHECK VALVE ASSEMBLIES (DCVA) OR REDUCED PRESSURE ZONE (RPZ) ASSEMBLIES.

ABOVE GROUND ENCLOSURE

OS&Y (OPERATING STEM & YOKE) VALVES FOR FIRE LINES - NRS (NON-RISING-STEM) VALVES FOR POTABLE WATER SYSTEMS.

RPZ SHOWN

DRAIN PORT W/ VERMIN GUARD



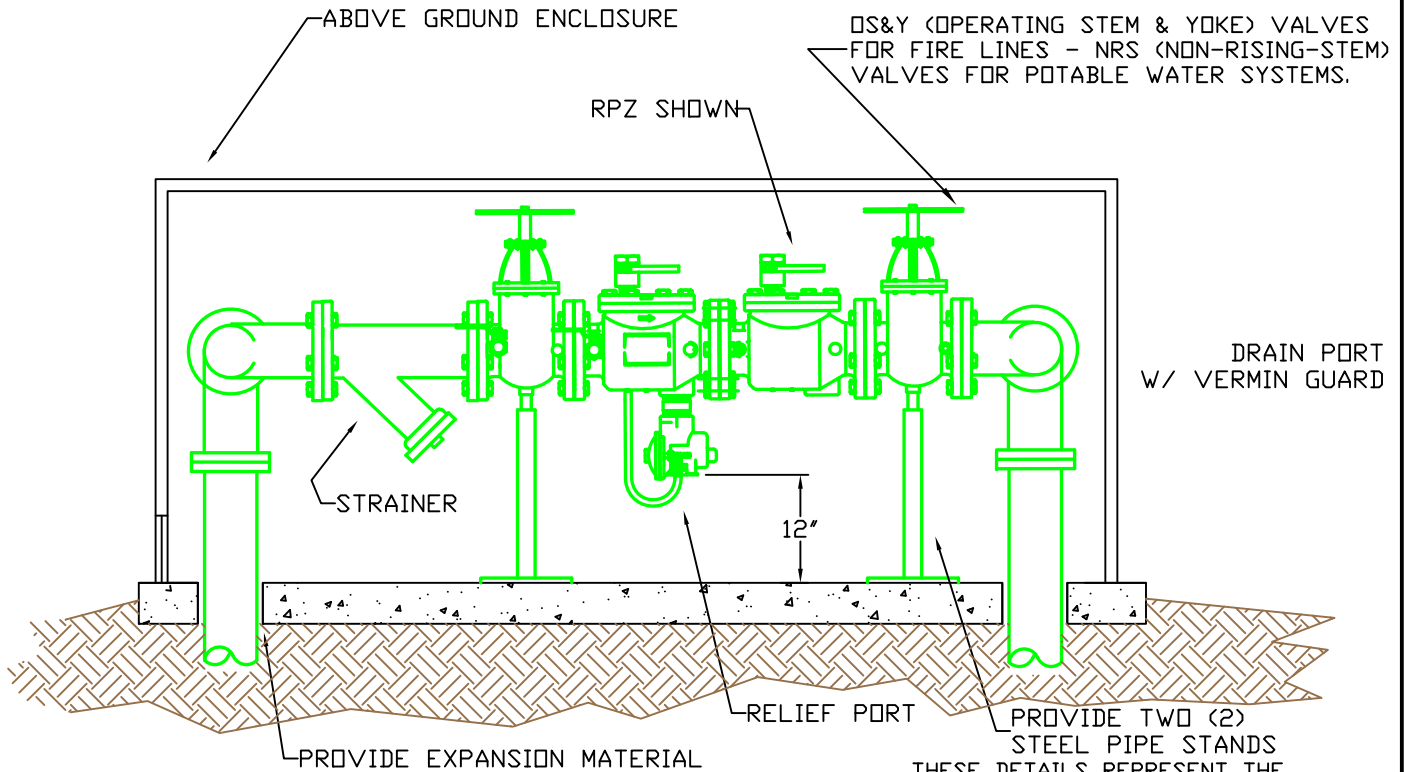
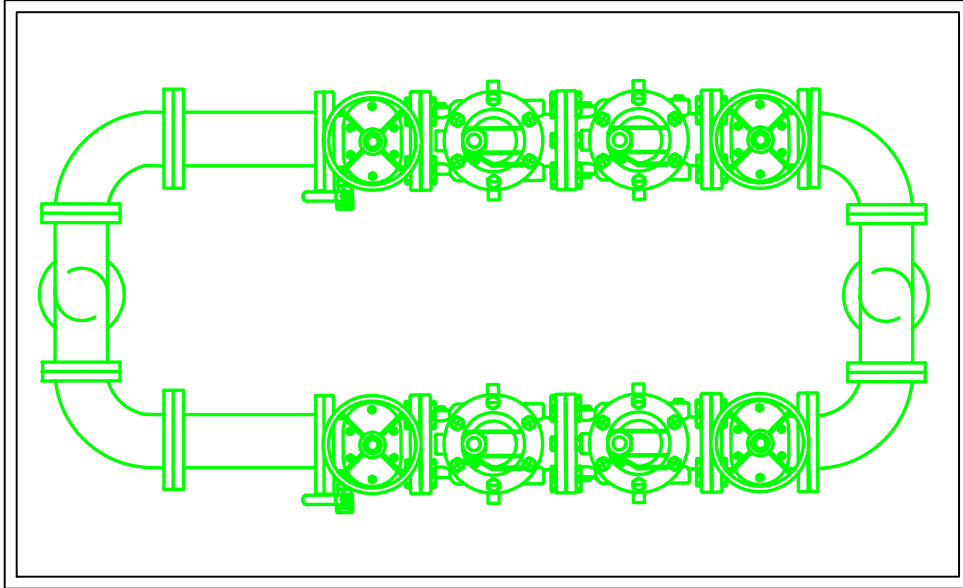
DRAWN BY: S. TOLAR

INSPECTED BY:

**TYPICAL INSTALLATION
FOR SINGLE
BACKFLOWS - SIZES
4" THROUGH 10"**

REVISED: 1/23/2023 BY: JMP

TYPICAL INSTALLATION FOR PARALLEL BACKFLOWS - SIZES 4" THROUGH 10"



NOTE: PARALLEL INSTALLATIONS ARE RECOMMENDED WHEN UNINTERRUPTED WATER SERVICE IS REQUIRED.

NOTE: THESE DETAILS REPRESENT THE TYPICAL ABOVE GROUND INSTALLATION OF 4" TO 10" DOUBLE CHECK VALVE ASSEMBLIES (DCVA) OR REDUCED PRESSURE ZONE (RPZ) ASSEMBLIES.

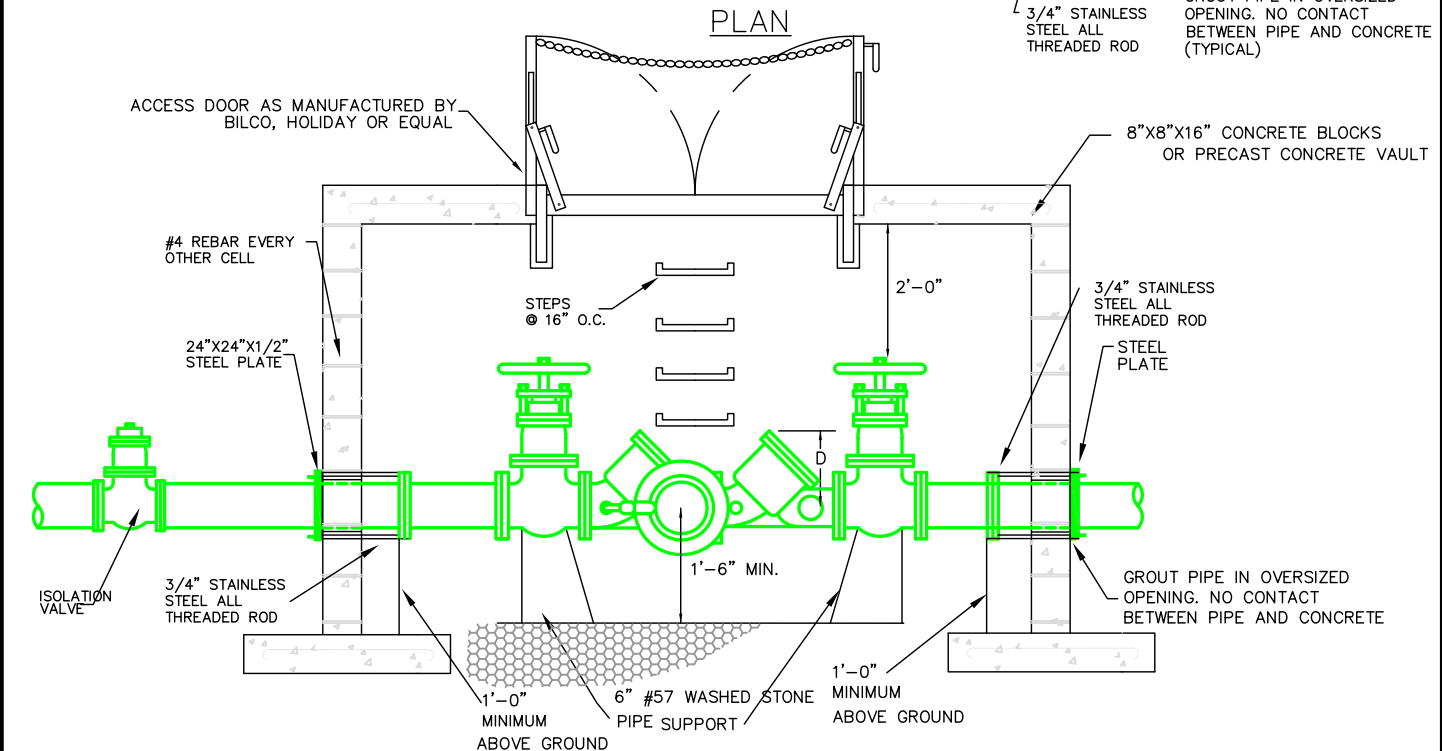
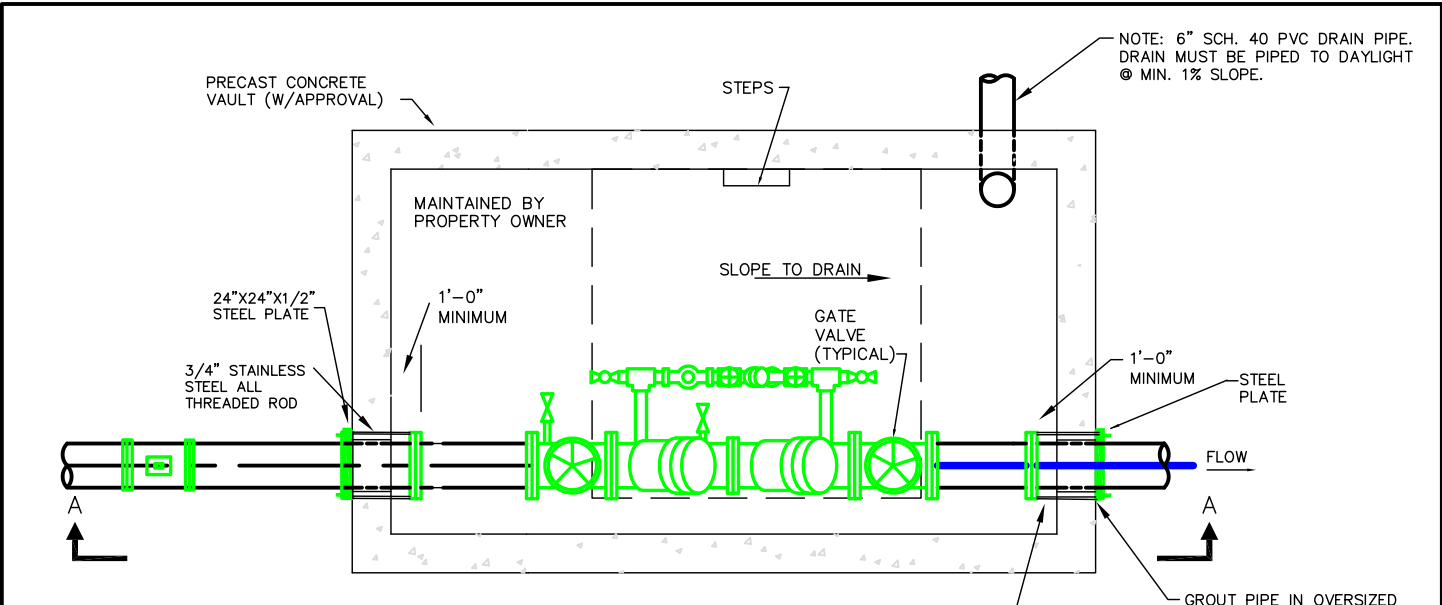


DRAWN BY: S. TOLAR

INSPECTED BY:

TYPICAL INSTALLATION FOR PARALLEL BACKFLOWS - SIZES 4" THROUGH 10"

REVISED: 1/23/2023 BY: JMP



SECTION A-A

NOT TO SCALE

FIRE LINE SIZE	INSIDE PIT DIMENSIONS			ACCESS DOOR SIZE
	LENGTH	WIDTH	DEPTH	
6 INCH	8'-0"	6'-0"	6'-6"	DOUBLE LEAF 4'-0" x 4'-0"
8 INCH	10'-0"	6'-0"	7'-0"	DOUBLE LEAF 4'-0" x 4'-0"
10 INCH	10'-0"	6'-0"	7'-6"	DOUBLE LEAF 4'-0" x 6'-0"

DOUBLE DETECTOR CHECK BACKFLOW WITH METER

NEWNAN UTILITIES
Committed To Excellence

DRAWN BY: S. TOLAR

INSPECTED BY:

TYPICAL INSTALLATION FOR A BELOW GROUND VAULT

REVISED: 1/23/2023 BY: JMP