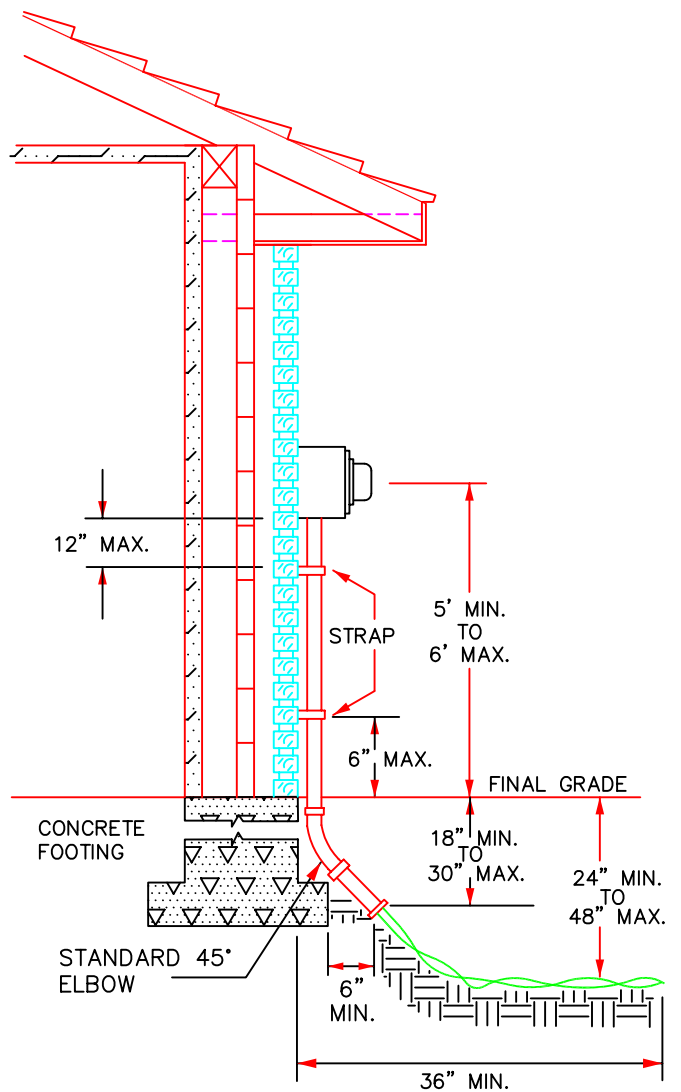


PREFERRED



ALTERNATE

NOTE

CROSSHATCHED AREA DENOTES UNDISTURBED OR RE-COMPACTED SOIL DIRECTLY BENEATH CABLE (EXTENDING 36" MIN. FROM BUILDING) AND CONDUIT (OR ELBOW) TO PREVENT LATER SETTLING OF CABLE AND CONDUIT. FAILURE TO PROVIDE COMPACT SOIL MAY RESULT IN DAMAGE TO CABLES, CONDUIT, AND METER SOCKET. 2 1/2" TRADE SIZE CONDUIT FURNISHED AND INSTALLED BY CUSTOMER.

TYPICAL RESIDENTIAL  
UNDERGROUND INSTALLATION